

The Keadby 3 Low Carbon Gas Power Station Project

Document Ref: 4.17

Planning Inspectorate Ref: EN010114

The Keadby 3 (Carbon Capture Equipped Gas Fired Generating Station) Order

Land at and in the vicinity of the Keadby Power Station site, Trentside, Keadby, North Lincolnshire

Emergency Access Bridge General Arrangement and Sections

The Planning Act 2008

The Infrastructure Planning (Applications: Prescribed Forms and Procedure) Regulations 2009 - Regulation 5(2)(o)

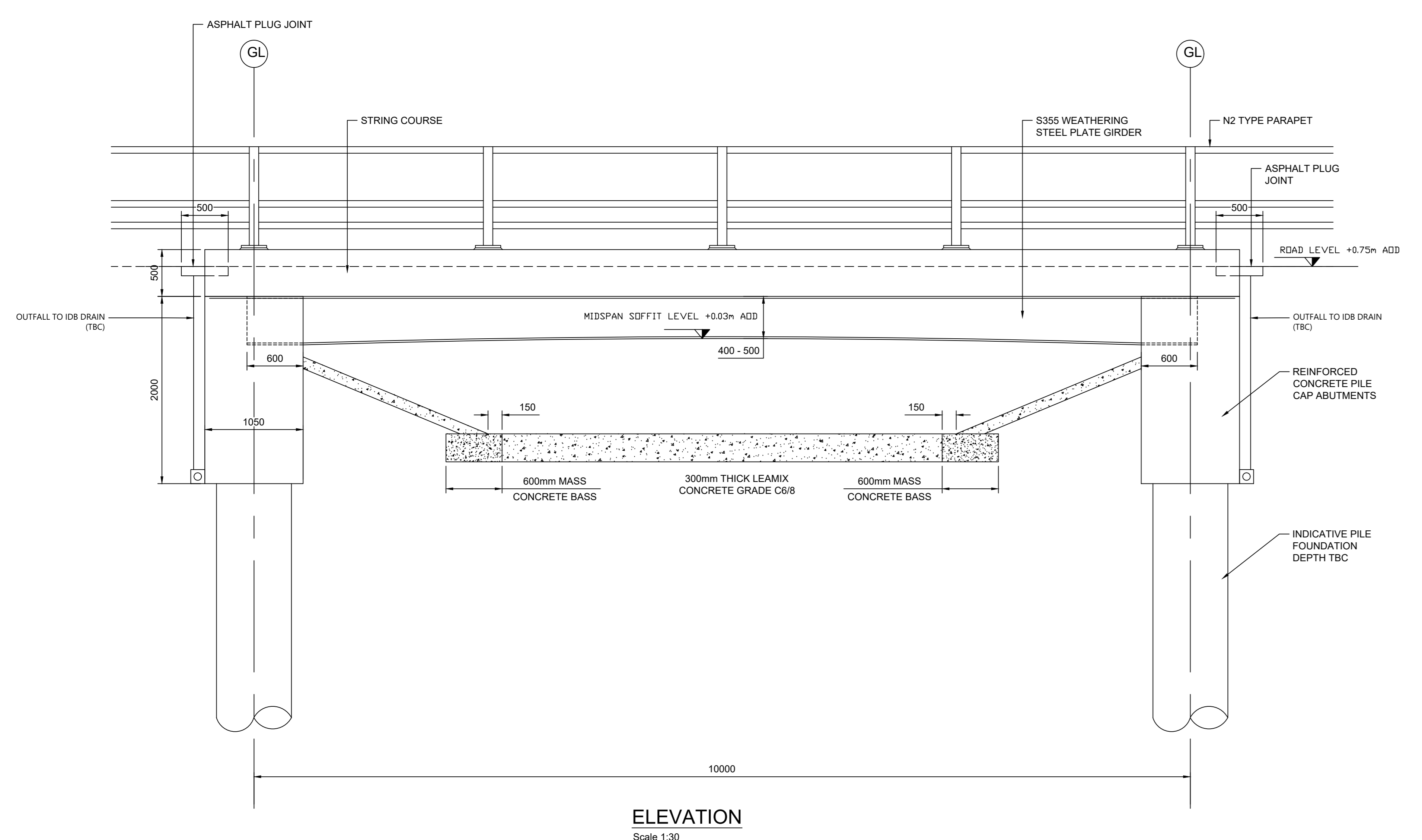
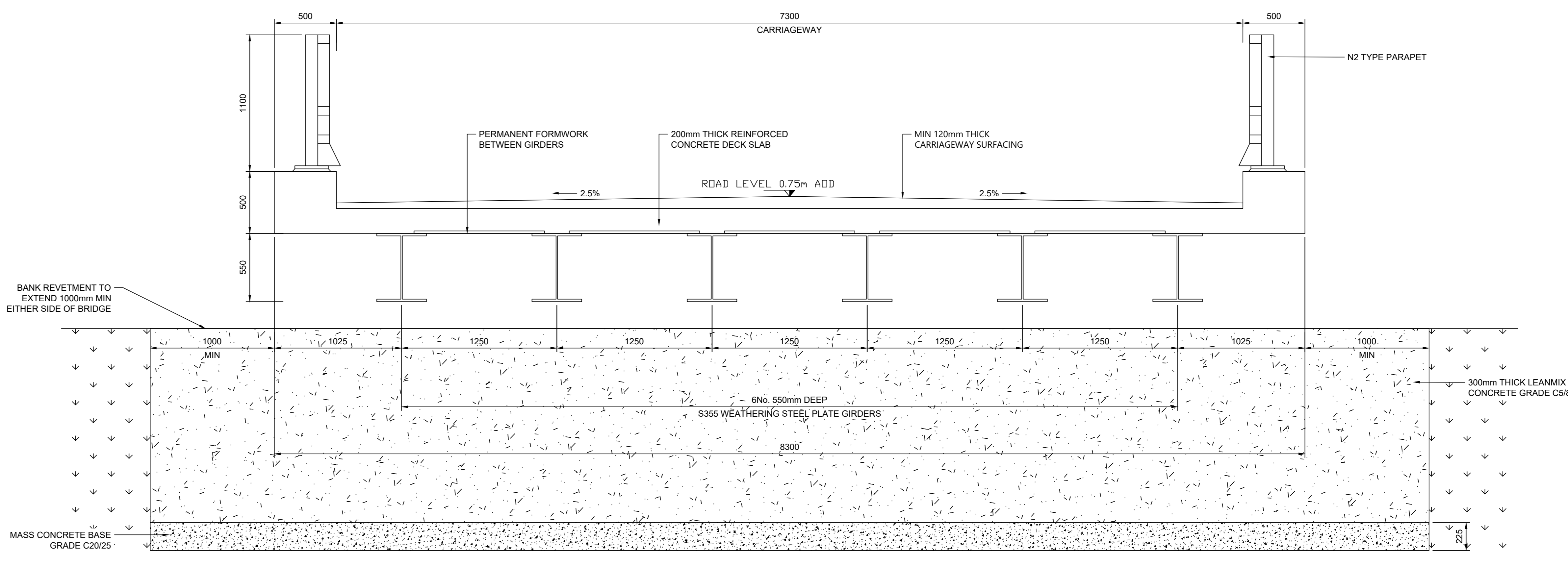
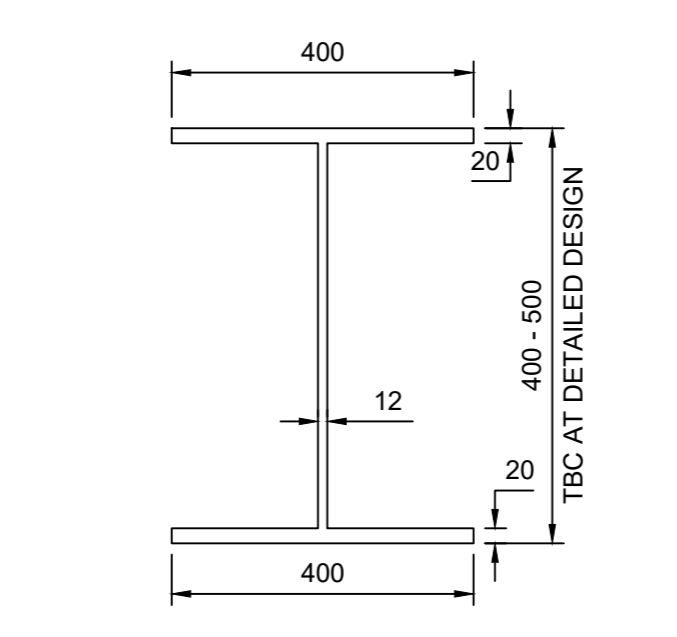
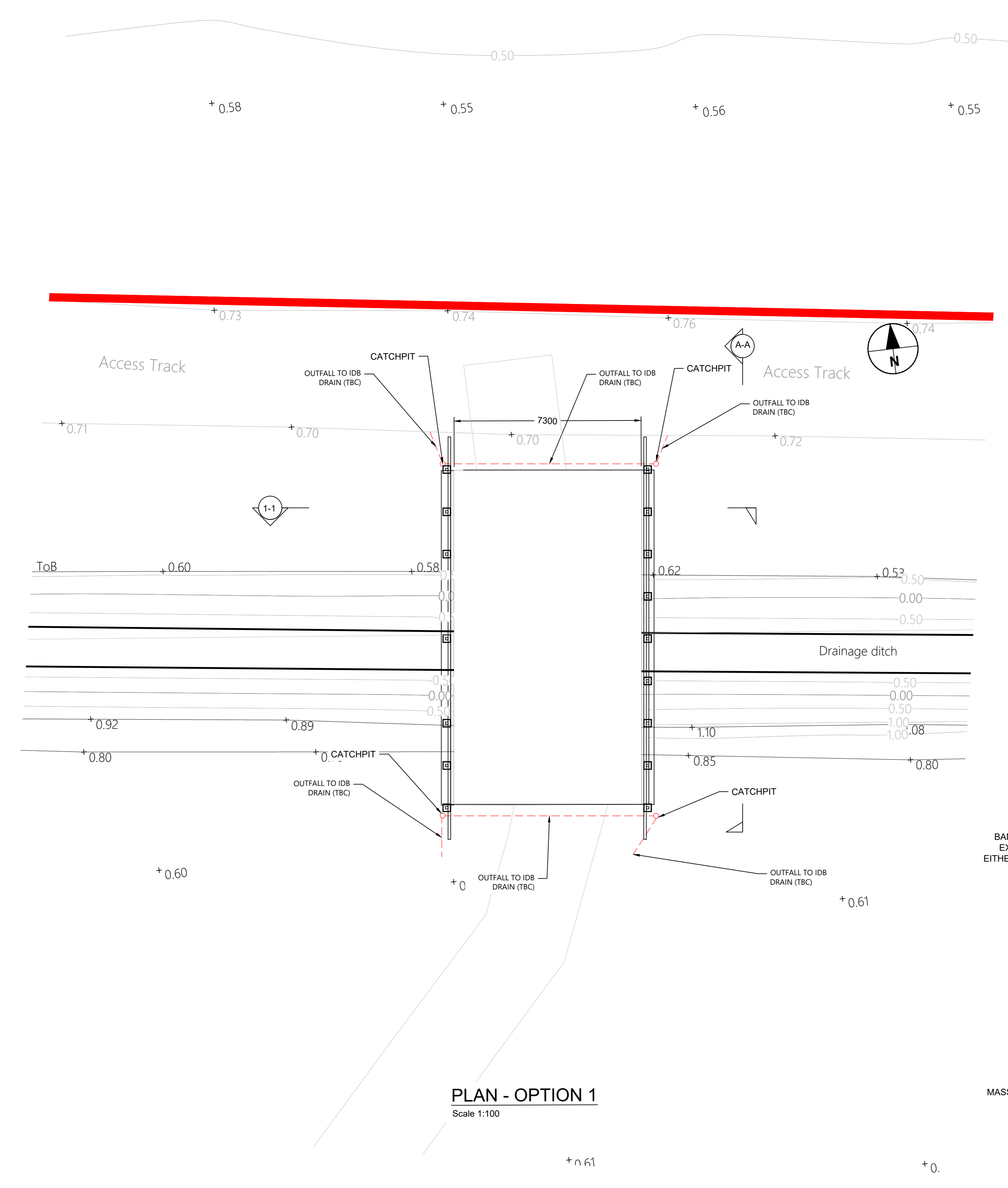
Applicant: Keadby Generation Limited

Date: May 2021

DOCUMENT HISTORY

Document Ref	4.17/Emergency Access Bridge General Arrangement and Sections
Revision	VP1.0
Document Owner	AECOM

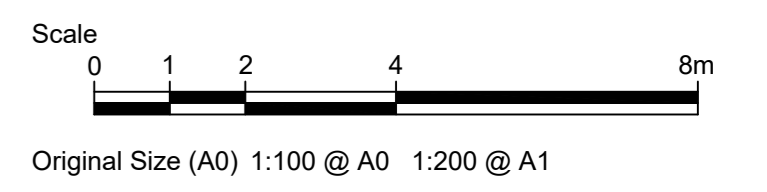
IBC A0 84mm x 118mm
 Approved: SD
 Checked: TF
 Designer: JC
 Project Management Initials:
 SHEETS/60625943-ACA-XX-GA-DR-002 (EMERGENCY ACCESS BRIDGE) DWG
 Last saved by: WALKER/2021-05-26
 File name: U:\ALD\SP\60625943-ACA-XX-GA-DR-002 (EMERGENCY ACCESS BRIDGE) DWG
 Printed on: % Post-Consumer Recycled Content Paper



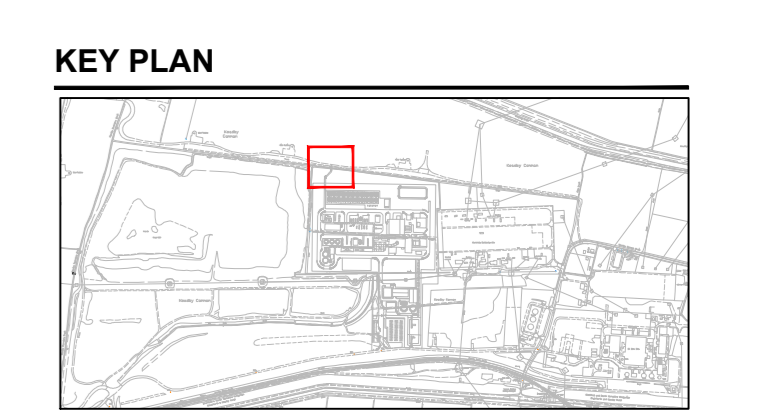
- NOTES**
1. TOPOGRAPHICAL SURVEY PROVIDED BY AVON MAA SURVEYS LTD TO AECOM ON 29/03/2021 FROM DATA COLLECTED ON 24/03/2021.
 2. PRIOR TO DETAILED DESIGN, SURVEY OF UNDERGROUND AND OVERGROUND SERVICES IS REQUIRED TO ASCERTAIN ACCURATE DATA AND REQUIREMENTS FOR DIVERSION AND PROTECTION.
 3. STRUCTURE DRAINAGE TO BE CONFIRMED AT DETAILED DESIGN. STRUCTURE DRAINAGE LIKELY TO OUTFALL INTO IDB DRAIN.
 4. IT IS ANTICIPATED THAT THE FOLLOWING CONCRETE STRENGTHS WILL BE USED: RC DECK SLAB & PILECAPS - C40/50 PILES - C32/40.

LEGEND
 THE ORDER LIMITS

THE KEADBY 3 CARBON CAPTURE EQUIPPED GAS FIRED GENERATING STATION ORDER REGULATION 5(2)(b) - INFRASTRUCTURE PLANNING (APPLICATIONS, PRESCRIBED FORMS AND PROCEDURES) REGULATIONS 2009



ISSUE PURPOSE
 DCO APPLICATION



PROJECT NUMBER
 60625943
SHEET TITLE
 KEADBY JUNCTION EMERGENCY ACCESS BRIDGE
SHEET NUMBER
 APPLICATION DOCUMENT REF. 4.17